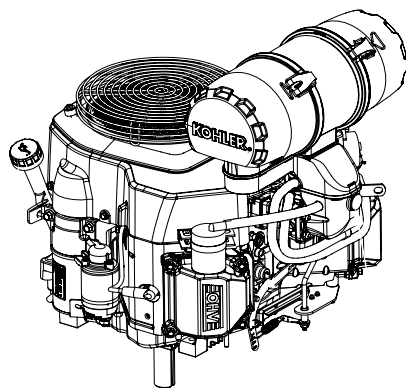
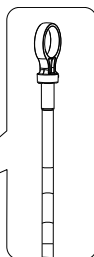
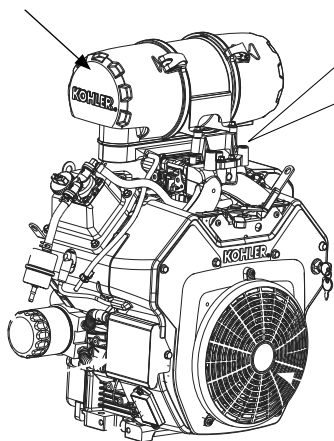
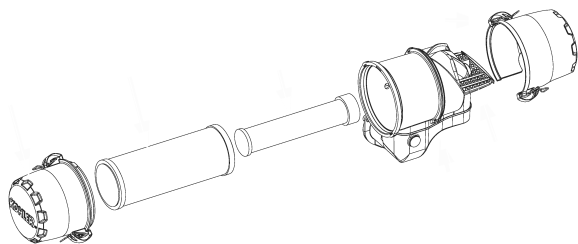


Safety Precautions





- A
- E
- I
- M
- Q

- B
- F
- J
- N

- C
- G
- K
- O

- D
- H
- L
- P

Pre-Start Checklist

Starting



Cold Weather Starting Hints

Stopping

Angle of Operation

Engine Speed

Cold Weather Operation

High Altitude Operation

If this engine is operated at an altitude of 4000 ft. (1219 meters) or above, a high altitude carburetor kit is required. To obtain high altitude carburetor kit information or to find a Kohler authorized dealer, visit KohlerEngines.com or call 1-800-544-2444 (U.S. and Canada).

This engine should be operated in its original configuration below 4000 ft. (1219 meters).

Maintenance Instructions



Weekly

Every 100 Hours or Annually¹

Every 200 Hours

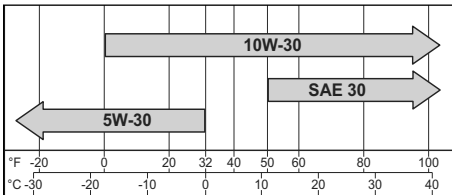
Every 250 Hours¹

Every 500 Hours¹

Every 500 Hours²

Oil Recommendations

Check Oil Level



Change Oil and Filter

Fuel Recommendations



Oil Sentry™ (if equipped)

Spark Plugs



Air Cooling



Air Cleaner

Oil Cooler (if equipped)

